



Mini Cabinets

Smaller size fits conveniently beside your workbench.

- 16-gauge steel
- All-welded
- Steel work surface
- 800-lb. overall capacity
- Individual drawer cylinder locks
- Color: Charcoal

1/2" lip on 3 sides of worksurface. 20"W x 19 3/4"D x 5"H locking drawers have ball-bearing slides and are keyed alike. 5" hard rubber casters – 2 rigid, 2 swivel.

E. 2 Drawers and Cabinet. Compact size is ideal for moving equipment from one workstation to another. 20"W x 12"H locking cabinet stores larger items.

F. 4-Drawer Cart. Outstanding mobility for small items and tools.

Key	Overall W x D x H	Drawer Qty.	Door Qty.	Stock Number	Net Each
E	23" x 20" x 34"	2	1	1842	\$549
F	23" x 20" x 34"	4	—	1843	529

Portable Bin Cabinet

Models F8-3892-A2 & F8-3893-A1

Offers a variety of storage options including drawers, shelving and door bins.

- 5" rubber casters
- Door features full-length piano hinge and single-point locking handle
- Individual locks on drawers
- Offset door brackets hold up to 12 parts bins
- Non-slip black rubber mat
- 3"-high backstop
- Handles up to 800 lbs.
- Color Red

Model No.	Dimensions W x D x H	Bins	Bin Dimensions	Price
G F8-3892-A2	36" x 21" x 35"	(12) XS bins	5" x 4" x 3"H	\$849
G F8-3893-A1	36" x 21" x 35"	(24) XS bins	5" x 4" x 3"H	1,039

Portable Bin Cabinet

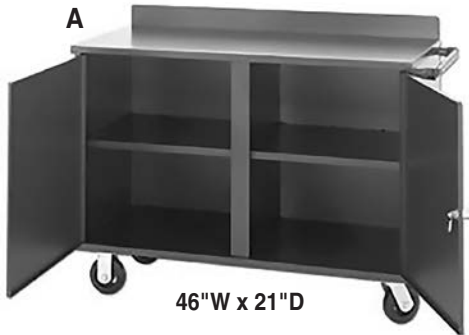
Models 4917 through 4919

Keeps parts organized and contained, while offering complete security. **Color: Charcoal.**

- 3-point locking handle
- 5" rubber casters
- 1 1/2"-high rim around three sides of top workspace
- Available with 18 or 20 various sized bins
- Also available with bin brackets only
- Stands 36 1/2"H x 36"W x 22"D
- Handles up to 800 lbs.
- 4917 measures 36 1/2"H x 36"W x 22"D, (12) SM, (4) M, (2) XL bins (XL-14" x 16" x 7"H), (SM-7" x 4" x 3"H), (M-11" x 5" x 5"H)
- 4918 measures 36 1/2"H x 36"W x 22"D, (12) M, (8) L bins (M-11" x 5" x 5"H), (L-14" x 8" x 7"H)

No. 4917 \$862 No. 4918 \$918

Mobile Service Centers



Premium Mobile Cabinets

Separate storage areas keep supplies organized.

- 16-gauge steel
- All-welded
- Steel work surface
- 800-lb. overall capacity
- Individual drawer cylinder locks
- Color: Charcoal

Fixed, welded-in shelves. Cabinet doors have full piano hinges and cylinders lock handles. 20"W x 19 3/4"D x 5"H drawers have roller-bearing slides. 3" high work surface backstop.

A. & B. Two-Door Cabinets.

Key	Overall W x D x H	Drawer Qty.	Door Qty.	Stock Number	Net Each
A	46" x 21" x 34"	2	2 Partitioned Shelves	1837	\$555.00
B	36" x 21" x 34"	2	1	1838	480.00

C. & D. Combination Drawer/Cabinets.

Four 100-lb. capacity drawers are keyed alike. Locking cabinet.

Key	Overall W x D x H	Drawer Qty.	Door Qty.	Shelf Qty.	Stock Number	Net Each
C	46" x 21" x 34"	4	1	1	1834	\$970.00
D	36" x 21" x 34"	4	1	—	1835	784.00

Flexible Modular Workstation

- Durable steel base and frame with black powder-coat paint finish.
- Central post serves as a hub for accessory shelves.
- Includes cherry finished laminate keyboard/laptop shelf 31½ W x 15¾ D, single monitor mount, clips, hollow tubing for cable management and 2" dual-wheel caster (2 lock).
- All shelves and accessories adjust in height.
- Easy Assembly



EDG-329

\$159.99



EDG-329 with optional laptop/tablet arm. Add \$99

Overall: 31½"W x 26½"D x 46½"H

Item	List Price
EGD-329	\$159.99

Laptop/Tablet Arm

Adjustable dual arm, position for use as a second display.

14½"W x 15½"D x 11"H

Item	Special
EGD-LTA	\$99

Single-Arm Monitor Mount

Extends up to 151/2". Holds up to 23"/30lb. monitor. 12"D

Item	Special
EGD-SAM	\$59

Electrical Assembly

Includes 4 outlets, 25' cord and winder. Attaches to bottom of frame.

Item	Special
EGD-EA	\$39

Workstation

Easily adjustable from sitting to standing.

- 3/4" thick vacuum-formed PVC top and keyboard tray with cherry wood grain finish; black powder-coat paint frame finish.
- Adjustable monitor shelf with grommet, adjustable, pull-out keyboard shelf and fixed-bottom shelf.
- 2½" swivel casters (2 lock).



Item	List
EDG-59	\$487

\$299.99

SPECS

Monitor Shelf: 27"W x 17½"D

Keyboard Shelf: 27"W x 9½"D

Overall: 27½"W x 22½"D x 281/2"-45½"H



Mobile Workstation

Provides a variety of uses, making it ideal for tight quarters or environments where mobility is a necessity. Center post acts as a hub for a variety of shelves and accessories, allowing your computer to be positioned as you need it for easy access. Included cable management clips keep cords out of your way. Carts feature gray powder-coated steel frames, 3" locking casters, and non-slip EVA pads on all shelves.



B. Sit/Stand Cart - Improve your energy and efficiency by standing or sitting as you work. Includes single monitor mount for a monitor up to 22" with 35° of tilt and 25° of pan. Includes angled laptop/keyboard shelf (18.75"W x 13.75"D) with a mouse platform (6.75" x 6.75"D). Included CPU holder has two adjustable security straps.

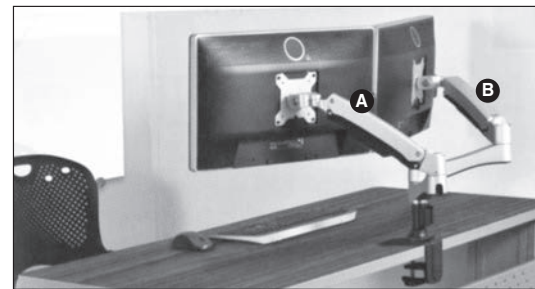
E. Dual Monitor Mount - Provides cart (B) with support for two monitors up to 22".

C. Shelf - Additional shelf measures 15"W x 11"D.

D. Document Shelf - Measures 15"W x 13.63"D. Features retractable platform (13.5"W x 8.63"D).

Key	Part No.	Description	Dimensions	Ship Wt.	Price
B	738	Sit/Stand Cart	67"H x 32"W x 33"D	49 lbs	\$430
Optional Accessories for Sit/Stand Cart					
C	015	Shelf	15"W x 11"D	7 lbs	\$70
D	017	Document Shelf	15"W x 13.75"D	11 lbs	\$80
E	016	Dual Monitor Mount	Up to 22" monitors	9 lbs	\$90

Flat Panel Monitor Clamp Arms



A. HG Flat Panel Monitor Clamp Arms

Part No.	Capacity	Dimensions	Price
643*	24"/22 lbs	22"H x 24½" W x 47/8"D	\$229.99

B. Additional Monitor Arm

646*	24"/22 lbs	15½"H x 225/8"W x 4½"D	\$170.00
------	------------	------------------------	----------

- Dual-jointed arms feature 95° of tilt adjustment. Monitor mount joint features 180° of swivel and 110° of tilt adjustment. A full 360° of rotation adjustment allows you to fix your monitor(s) in either landscape or portrait orientation.
- Each arm holds a monitor up to 24" and 22 lbs. VERA compatible mounting in 75mm x 75mm or 100mm x 100mm mounting patterns.
- Arm locks securely onto your desktop with a clamp mechanism that adjusts to accommodate desktops from 1/2" to 115/16" thick.

Stacker or Stand Up Workstation



MaxStax

- Compact units holds two printers or fax machines.
- Middle pullout shelf allows easy access.
- Bottom shelf holds supplies.

25983 40 lbs. UPS

\$299.99

MaxStax

42¹/₄"H x 25¹/₈"W x 20"D



MaxStax with Double Printer

Ergonomic Slanted Shelf

with ledge holds materials or equipment

- Adjusts from 37¹/₂"-45¹/₂"H
- Top shelf 23³/₄"W x 12"D; middle shelf 18³/₄" x 15³/₄"D; slanted shelf 14¹/₂"W x 11³/₄"D
- Storage box interior: 14¹/₂"H x 18³/₄"W x 9¹/₂"D for small CPUs, books, binders or equipment
- Top and middle shelves feature security rails
- Slanted shelf has lip to safeguard materials or equipment
- Black steel frame and T-molding with medium oak tops
- Rolls out of the way on 3" casters (two locking) when not in use

1-year warranty. Ready to assemble.



Quick Ship

H x W x D

37¹/₂" - 45¹/₂" x 23¹/₂"W x 18"D

SPECIAL

Item	List	1-2	3+
EDG-45	\$269	\$184	\$174

Stand-Up Workstations

- Sturdy silver steel frame with powder coat paint finish
- Durable laminate wood surface.
- **Specify:** Black (B) or Dark Walnut (DW)
- Adjusts in height by 1" increments
- Available in 2 different widths
- 3" furniture casters, 2 with locking brakes
- Includes all hardware and tools required for assembly
- Optional 3-outlet electrical assembly (51911) \$29.99



STANDUP-40-B \$249.99

39¹/₂"W x 29"D
34"-46"H (top shelf) 28¹/₂"-40¹/₂"H (lower shelf)

STANDUP-31.5-DW \$199.99

31¹/₂"W x 29"D x 34"-46"H
34"-46"H (top shelf) 28¹/₂"-40¹/₂"H (lower shelf)

Stand-Up Workstation with LCD Mount

Standing-height unit accommodates the latest flat panel monitors, plus all the needed accessories!

- Includes a VESA-compliant LCD mount with 4-way adjustability for easy viewing of your screen from any angle
- 3/4" thick furniture board shelves with melamine laminate surfaces
- Top shelf holds up to 100 lbs.; adjustable lower shelf supports 50 lbs.
- Powder-coated steel frame with 2" dia. dual-wheel casters
- FedEx Ground
- EZ Assembly

Specify frame/shelf color:

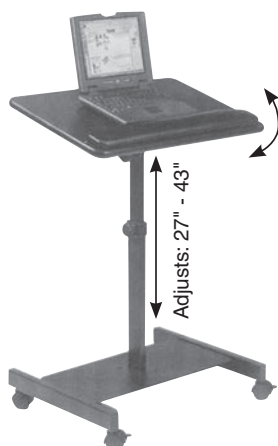
Charcoal/Silver or Gray/Gray

No.	HxWxD
P135	56" x 29 ¹ / ₂ " x 20"



\$259

Economy Laptop Station



Adjusts: 27" - 43"

- Ergonomic, fully adjustable laptop station adjusts to the right height every time.
- Adjust from 27" to 43" with a positive tilt of 30° and a negative tilt of 25° to accommodate any user.
- Includes padded wrist rest for comfort and 2" casters for mobility.
- Black laminate top with black frame.
- UPS.

\$159.99

Model #	Dimensions	Weight
26034	27" - 43"H x 23 ¹ / ₂ "W x 18"D	25 lbs.

Computer Stand

- Top shelf accommodates projector or standard LCD monitor; 24"W x 18"D x 38¹/₂"-44¹/₂"H
- Keyboard/laptop shelf; 24"W x 14"D x 36¹/₄"-44¹/₄"H
- Overall size: 24"W x 31"D x 38¹/₂"-44¹/₂"H (34"W with CPU holder extended). 44 lbs.
- Bottom storage/printer shelf.
- Top and middle shelves are height adjustable.
- Includes CD rack (holds 10 CDs) and CPU rack (attaches left or right; adjusts 8"-10"W).
- 3" casters (2 locking).
- Ship ready to assemble.



~~\$289.75~~ **\$189.99**

#25058

Easily Adjust Height of Sit/Stand Card



Outfitted with a crank for easy adjustment of height, a new sit or stand mobile cart/desk can be raised or lowered from 29 to 42¾ inches. Ideal for desktop, laptop or tablet computing, the desk is constructed of a durable steel frame with powder coat paint finish. Top has plywood core with rich melamine finish. It is equipped with four, 3-inch casters (two with locking brakes) for mobility and includes all hardware and tools required for assembly. The unit is offered in two sizes: 48" or 60"W x 30"D.

Overall: 29½"D x 29"-42¾"H

Specify color: Walnut, Teal

Width	Item	SPECIAL	
		1-3	4+
48"	L-48	\$464	\$444
60"	L-60	\$494	\$474

Standing Mobile Workstation

Easy to use solution for your standing workstation needs. Teak laminate with brushed silver posts. Retractable keyboard shelf. Ergonomic cutouts for comfort. Easily mobile on 2" casters (two locking).

Overall: 29½"D x 29"-42¾"H

Specify color: Walnut, Teal

Part No.	Item	Dimensions	Price
91105	Standing Mobile Workstation	45.88"H x 35.63"W x 25.25"D	\$229.99



Front Desk Mounted Sit/Stand Workstation

Transform your existing desk into a modern sit-to-stand workstation. Easy attaches to a surface up to 1.6" thick and provides 18" of height adjustment. Available with either a single or dual monitor mount.

Part No.	Item	Dimensions	Price
Desk Front Mounted Sit/Stand Workstation			
DMSR530*	Single Monitor Mount	42"H x 27.63"W x 30"D	\$298.99
DMSR531*	Dual Monitor Mount	42"H x 27.63"W x 30"D	356.99
Rear Mount Desk Mounted Sit/Stand Workstation			
DMSR13*	Single Monitor Mount	42"H x 27.63"W x 30"D	\$324.99
DMSR14*	Dual Monitor Mount	42"H x 27.63"W x 30"D	359.99



Wall Mount Workstation

Versatile "set and forget" adjustments for monitor and keyboard. Ideal for high traffic facilities. Second monitor mount and CPU holder sold separately.

*Ships FedEx/UPS

Part No.	Item	Dimensions	Price
Wall Mount Workstation			
WMW644*	Workstation	34.65"H x 22.87"W x 7.91"D	\$589.00
WMW646*	Monitor Arm	4.53"H x 4.53"W x 16.26"D	165.00
WMW645*	CPU Holder	7.38"H x 9½"W x 8.63"D	66.00



Versatile and modular mobile workstation is fully adjustable. Includes keyboard shelf, projector shelf, and document camera shelf.

Part No.	Item	Dimensions	Price
27588*	Alpha Cart	47"H x 31¾"W x 27½"D	\$375.99